

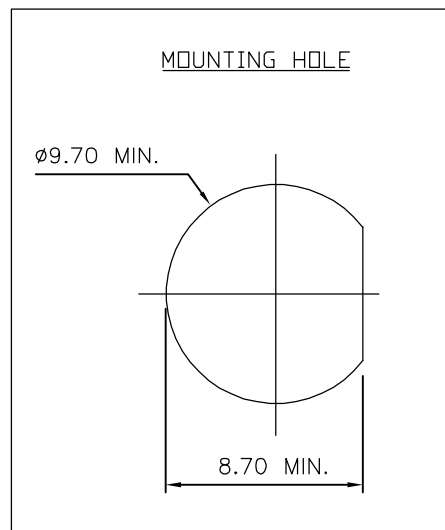
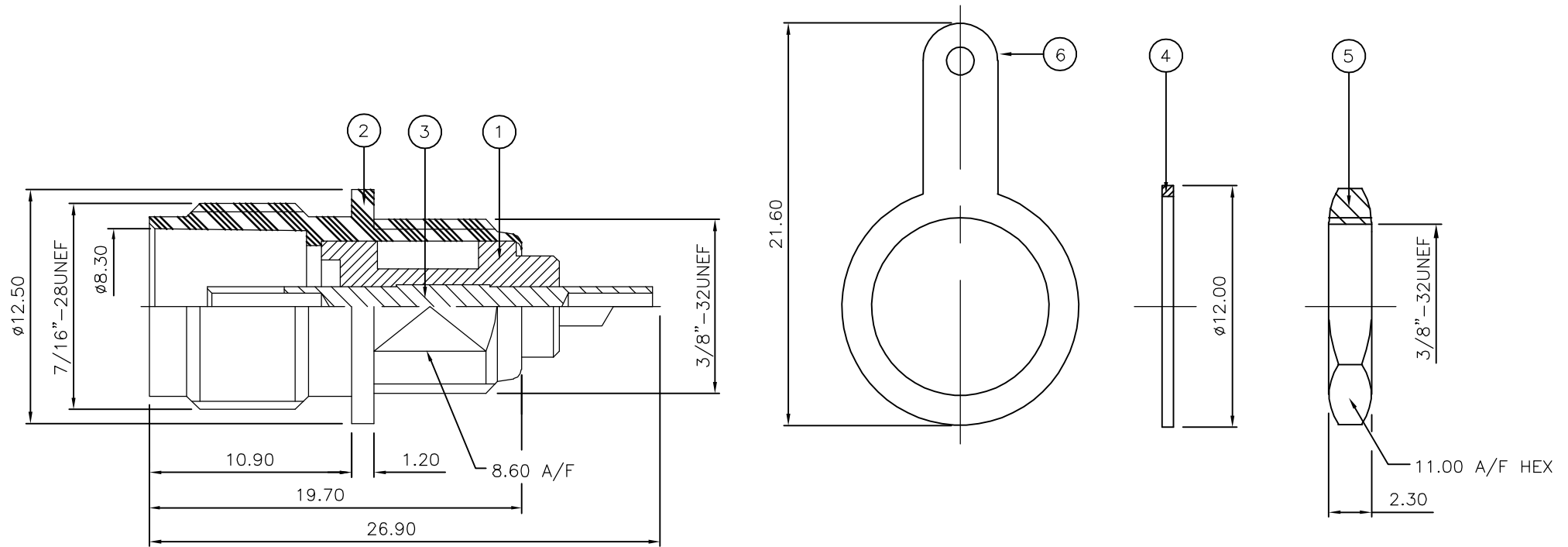
THIS DRAWING IS UNPUBLISHED. RELEASED FOR PUBLICATION DEC ,2005.

© COPYRIGHT 2005 BY TYCO ELECTRONICS CORPORATION. ALL RIGHTS RESERVED.

| LOC | DIST | REVISIONS | | | | | |
|-----|------|-----------|-----|---------------|---------|-----|------|
| E | B | P | LTR | DESCRIPTION | DATE | DWN | APVD |
| | | C | | ECR-05-017969 | 15DEC05 | JMS | FWK |

NOTES:

- 1 PACK IN ACCORDANCE WITH AMP SPEC 107-3275
- 2 100 TRAY PACK IN ACCORDANCE WITH AMP SPEC 107-3275
- 3 Ag PLATING
- 4 ELECTRICAL CHARACTERISTICS
 - FREQUENCY RANGE: DC - 11 GHz
 - NOMINAL IMPEDANCE: 50 Ohm
 - INSULATION RESISTANCE: 5000 MOhm
 - WORKING VOLTAGE: 500 Volts RMS at Sea Level
 - DIELECTRIC WITHSTAND VOLTAGE: 1500 Volts RMS Max
 - CONTACT RESISTANCE:
 - CENTRE CONTACT: 1.50 mOhm Max
 - OUTER CONTACT: 1.00 mOhm Max
 - INSERTION LOSS db: 0.20 Max
- 5 MECHANICAL CHARACTERISTICS
 - MOUNT NUT RECOMMENDED TORQUE: 2.5N
 - DURABILITY: 500 Cycles Min
- 6 ENVIRONMENTAL CHARACTERISTICS
 - OPERATING TEMPERATURE: -65 to +165 DegC



| QTY | QTY PER ASSY | MATERIAL | DESCRIPTION | ITEM |
|------|--------------|----------|-------------|------|
| 1 | 1 | BRASS | SOLDER TAG | 6 |
| 1 | 1 | BRASS | HEX NUT | 5 |
| 1 | 1 | BRASS | WASHER | 4 |
| 1 | 1 | BRASS | CONTACT | 3 |
| 1 | 1 | BRASS | BODY | 2 |
| 1 | 1 | TEFLON | INSULATION | 1 |
| 6--0 | 1--0 | | | |

| | | | |
|-----------------------------|-----------|---|--------------------|
| QUANTITY PER ASSY | | PARTS LIST | |
| DWN J.SANDWELL 15DEC05 | | Tyco Electronics Corporation | |
| CHK S.PARLOW 15DEC05 | | Bideford EX39 4HE | |
| APVD F.WHEELER-KING 15DEC05 | | NAME | |
| PRODUCT SPEC | | TNC BULKHEAD SOCKET FRONT MOUNT 50 & 75 OHM + TAG | |
| APPLICATION SPEC | | | |
| SIZE | CAGE CODE | DRAWING NO | RESTRICTED TO |
| A3 | 00779 | C-1337469 | - |
| CUSTOMER DRAWING | | SCALE NTS | SHEET 1 OF 1 REV C |

| | |
|--|--|
| THIS DRAWING IS A CONTROLLED DOCUMENT. | |
| DIMENSIONS: mm | TOLERANCES UNLESS OTHERWISE SPECIFIED: |
| | 0 PLC ± - |
| | 1 PLC ± - |
| | 2 PLC ± - |
| | 3 PLC ± - |
| | 4 PLC ± - |
| | ANGLES ± - |
| MATERIAL SEE TABLE | FINISH - |